

Scanner Accessibility Option Type 3045 (B815)

Scanner Accessibility Option Type 3045 (B815)

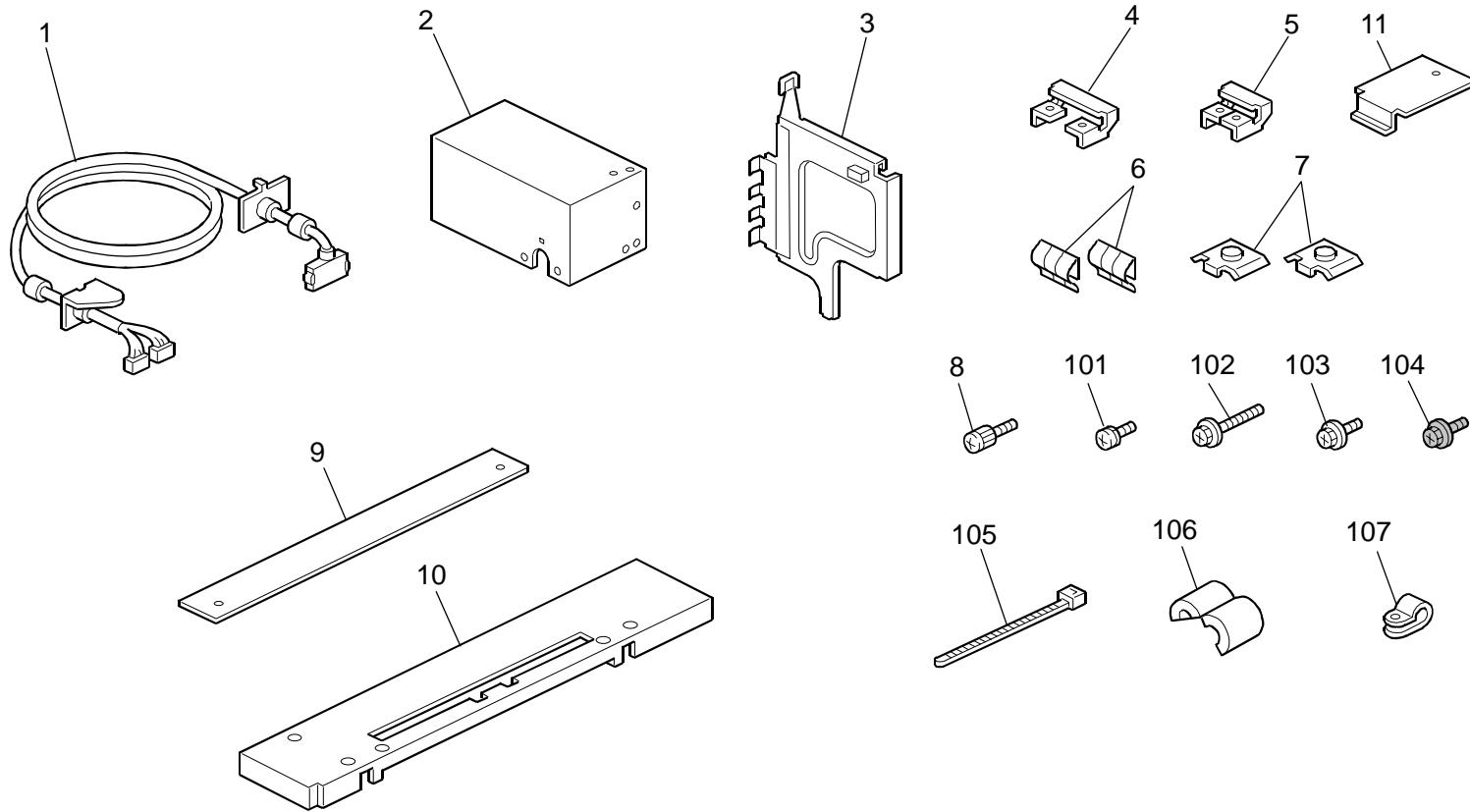
PARTS CATALOG

This catalog gives the numbers and names of parts on this machine.

1.Scanner Accesibility (B815).....	2
Parts Index	5

July ,10 ' 2005

1.Scanner Accessibility (B815)



1.Scanner Accesibility (B815)

Index No.	Part No.	Description	Q'ty Per Assembly
1	B815 1845	Interface Cable	1
2	B815 8440	Cover:Cable	1
3	B815 5876	Stay:Rack:Ass'y	1
4	B714 1251	Stopper:Hinge:Left	1
5	B714 1252	Stopper:Hinge:Right	1
6	B815 1844	Spring Plate:Operation Sub-unit	2
7	B815 8431	Spacer:Adjusting Pin	2
8	A628 3115	Knob Screw - M4	4
9	B815 8439	Cover:Paper Exit Sub-unit	1
10	B544 1562	Cover:Upper Right	1
11	B815 8438	Arm Cap	1

Index No.	Part No.	Description	Q'ty Per Assembly
101	0454 3006Q	Tapping Screw:3x6	
102	0451 3014N	Tapping Screw:3x14	
103	0454 3006Q	Tapping Screw:3x6	
104	0950 4006Z	Screw:M4x6	
105	1105 0046	Harness Band	
106	1607 1139	Ferrite Core:Rfc-8	
107	1105 0063	Clamp:NK-8N	

Parts Index

Parts Index

Part No.	Description	Page and Index No.
B815 1844	Spring Plate:Operation Sub-unit	3 - 6
B815 1845	Interface Cable	3 - 1
B815 5876	Stay:Rack:Ass'y	3 - 3
B815 8431	Spacer:Adjusting Pin	3 - 7
B815 8438	Arm Cap	3 - 11
B815 8439	Cover:Paper Exit Sub-unit	3 - 9
B815 8440	Cover:Cable	3 - 2

Part No.	Description	Page and Index No.
A628 3115	Knob Screw - M4	3 - 8
B544 1562	Cover:Upper Right	3 - 10
B714 1251	Stopper:Hinge:Left	3 - 4
B714 1252	Stopper:Hinge:Right	3 - 5

Part No.	Description	Page and Index No.
0451 3014N	Tapping Screw:3x14	3 - 102
0454 3006Q	Tapping Screw:3x6	3 - 101
0454 3006Q	Tapping Screw:3x6	3 - 103
0950 4006Z	Screw:M4x6	3 - 104
1105 0046	Harness Band	3 - 105
1105 0063	Clamp:NK-8N	3 - 107
1607 1139	Ferrite Core:Rfc-8	3 - 106

Part No.	Description	Page and Index No.
----------	-------------	--------------------